

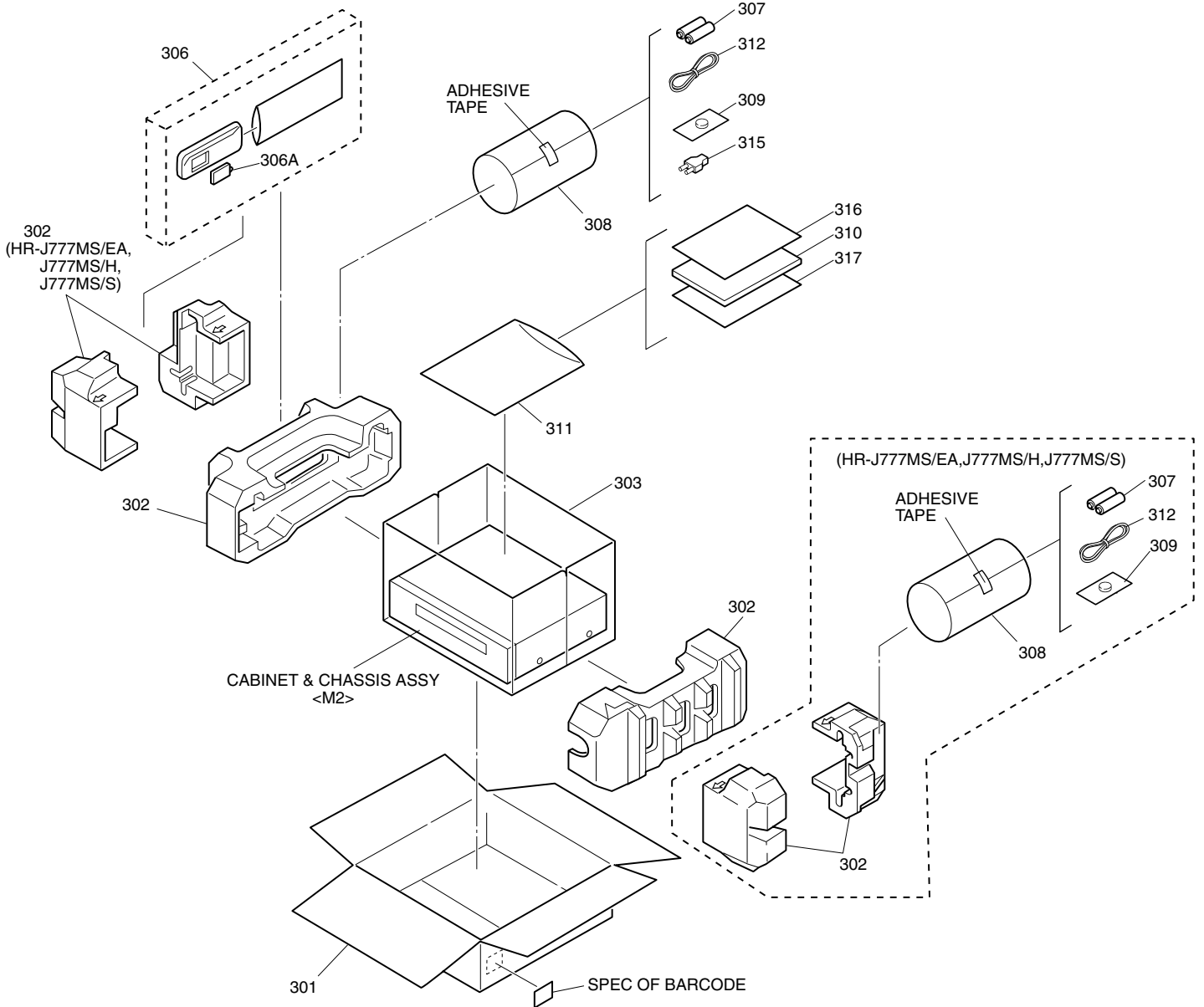
SECTION 5 PARTS LIST

SAFETY PRECAUTION

Parts identified by the \triangle symbol are critical for safety. Replace only with specified part numbers.

5.1 PACKING AND ACCESSORY ASSEMBLY <M1>

The instruction manual to be provided with this product will differ according to the destination.



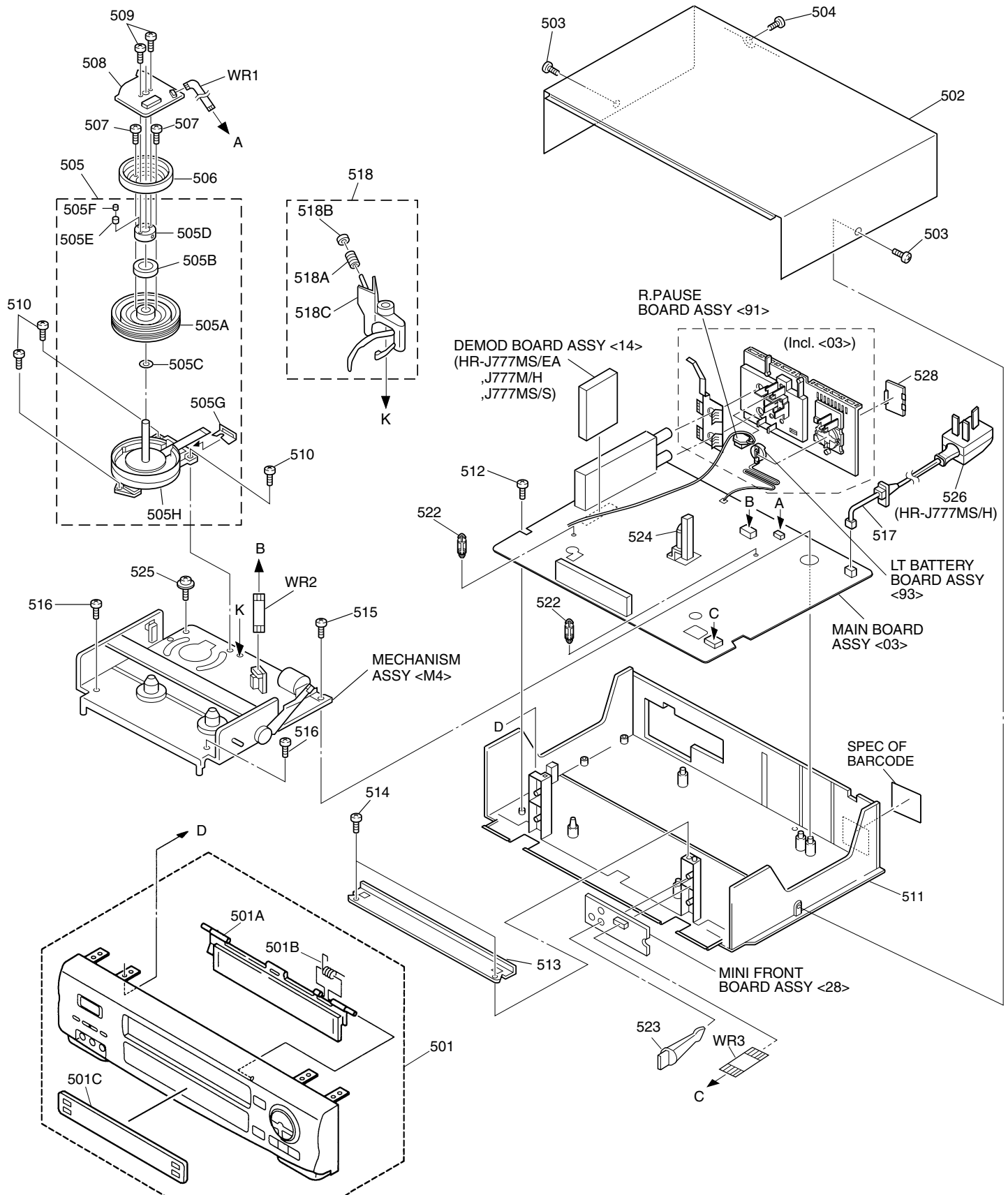
#	\triangle	REF No.	PART No.	PART NAME, DESCRIPTION	#	\triangle	REF No.	PART No.	PART NAME, DESCRIPTION

PACKING AND ACCESSORY ASSEMBLY <M1>									
301			LP30738-002B	PACKING CASE,J777MS/EA	306A			LP40610-002A	COVER(BATTERY)
			LP30738-001B	PACKING CASE,J777MS/H	307		-		BATTERY,X2("R6"TYPE)
			LP30738-003B	PACKING CASE,J777MS/S	308			QPC02202230P	POLY BAG
			LP30535-059A	PACKING CASE,J775EE	\triangle 309			PECA0903	LI BATTERY
302			LP30355-001D	CUSHION ASSY,J777MS/EA,J777MS/H,J777/S	\triangle 310			LPT0425-001A	INST BOOK(EN,CH),J777MS/EA,J777MS/H,J777MS/S
			LP30718-001A	CUSHION ASSY,J775EE	\triangle			LPT0425-002A	INST.BOOK(RU.AR),J777MS/S
303			PQM30021-93	POLY BAG	\triangle			LPT0441-001A	INST.BOOK(RU),J775EE
306			LP20878-008A	REMOTE CONTROLLER	311			QPC02503530P	POLY BAG
					312			PEAC0348-02	RF CABLE
					\triangle 315			PEMC1012	CONVERSION PLUG,J777MS/S
					316			BT-56001-2	WARRANTY CARD,J777MS/EA
								BT-54012-1	WARRANTY CARD,J775EE
					317			BT-56002-2	SERVICE CARD,J777MS/EA

5.2 CABINET AND CHASSIS ASSEMBLY <M2>

BEWARE OF BOGUS PARTS

Parts that do not meet specifications may cause trouble in regard to safety and performance. We recommend that genuine JVC parts be used.



▲ REF No. PART No. PART NAME, DESCRIPTION

▲ REF No. PART No. PART NAME, DESCRIPTION

CABINET AND CHASSIS ASSEMBLY <M2>

▲	501	LP10289-037B	FRONT PANEL ASSY,J777MS/EA
▲		LP10289-052A	FRONT PANEL ASSY,J777MS/H
▲		LP10293-038B	FRONT PANEL ASSY,J777MS/S
▲		LP10293-043B	FRONT PANEL ASSY,J775EE
	501A	LP20868-016A	CASSETTE DOOR,J777MS/EA,J777MS/S
		LP20868-030A	CASSETTE DOOR,J777MS/H
		LP20868-018A	CASSETTE DOOR,J775EE
	501B	PQ46448	TORSION SPRING
	501C	LP20869-051A	DISPLAY WINDOW,J777MS/EA,J777MS/H,J777MS/S
		LP20869-061A	DISPLAY WINDOW.J775EE
▲	502	LP10013-027C	TOP COVER,J775EE
▲		LP10013-031C	TOP COVER,J777MS/EA,J777MS/S
▲		LP10013-045A	TOP COVER,J777MS/H
	503	QYTDSF3010M	SCREW,X2 TOP COVER(SIDE),J775EE
		QYTDSF3010R	SCREW,X2 TOP COVER(SIDE),J777MS/EA,J777MS/H,J777MS/S
	504	QYTDSF3010M	SCREW,TOP COVER(REAR)
	505	LP20617-002A	DRUM SUB ASSY
	505A	LP20616-002A	UPPER DRUM ASSY
	505B	PDM4439	CAP
	505C	PDM4444-19-2	WASHER
	505D	LP40572-001A	COLLAR ASSY
	505E	LP40323-001A	CONTACT
	505F	LP30004-014A	COMPRESSION SPRING
	505G	LP40174-001B	FPC PLATE
	505H	LP20615-002A	LOWER DRUM ASSY
	506	PDZ0179-1-4	ROTOR ASSY
	507	QYSPSP3006Z	SCREW,X2
▲	508	QAR0119-001	STATOR ASSY
	509	QYSPSPH2606Z	SCREW,X2
	510	QYTDST2610Z	SCREW,X3 DRUM
▲	511	LP10108-009C	BOTTOM CHASSIS
	512	QYTDSF3010Z	SCREW,MAIN
	513	LP30312-001B	BRACKET(CHASSIS)
	514	QYTDSF3010Z	SCREW,X2
	515	QYTDSF4012Z	SCREW,MECHA
	516	QYTDSF3010Z	SCREW,X2 MECHA
▲	517	QMP4A10-170	POWER CORD,J775EE
▲		QMP2990-220	POWER CORD,J777MS/EA
▲		QMPK070-170-JC	POWER CORD,J777MS/H
▲		QMP73J0-170	POWER CORD,J777MS/S
	518	LP40369-001D	CLEANER ASSY
	518A	PQ46418-1-2	CLEANER ROLLER
	518B	PQ46419-1-2	CLEANER
	518C	LP30407-001D	CLEANER ARM
	522	LP40226-001A	PC SUPPORT,X2
	523	LP40628-001B	PC SUPPORT,FRONT
	524	LP40253-001B	STOPPER
	525	PQ40413	SPECIAL SCREW,MECHA
▲	526	QAM0001-001	CONVERSION PLUG,J777MS/H
	528	LP30336-001A	CAP,LT BATTERY
	WR1	QUQ212-0518CG	FFC WIRE,DRUM CN3001
	WR2	WJT0005-002A	E-CARD WIRE,A/C HEAD CN2001
	WR3	QUQ112-0914CG	FFC WIRE,FRONT